

SmartZone Backup Operations

A) .Radio operation in Site Trunking

Site trunking occurs when a site is not longer able to participate in **wide-area** calls controlled by the zone controller. Radios operating in site trunking can only communicate with other radios at that site.

The radio will of course always be looking for a wide-area trunking site to lock onto if it roams into range of one.

1. When a site goes into site trunking, the radio will receive this indication and will display

"SITE TRUNKING"

2. The display will alternate between

the current trunked mode and the site trunking display for as long as the radio remains in site trunking.

3. Users should have a pre-determined backup Tower site when the System is in Site Trunking.

Tower prefixes

HO = Houston Tower
HU = Huffman Tower
TO = Tomball Tower
CL = Clodine Tower

Harris County ITC

**LTS2000
Portable
Radio**

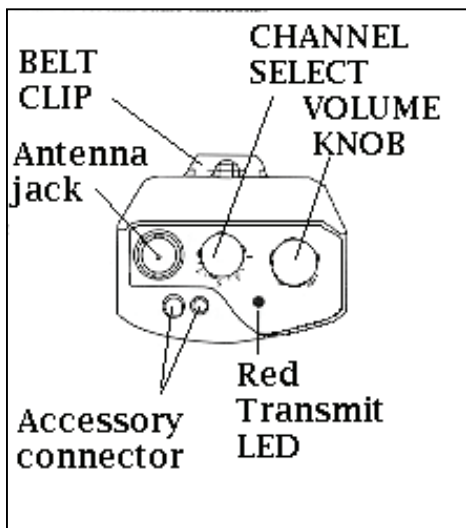
**USER GUIDE
Non-Law Model**



**Harris County
Standard Radio Configuration**

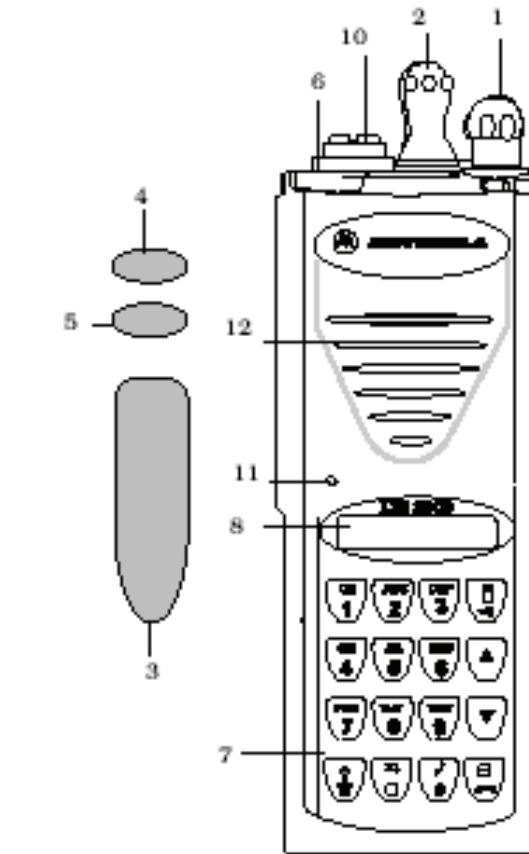
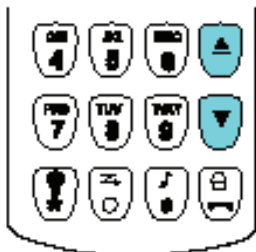
Harris County Regional Radio Center
2500 Texas ave
Houston, Texas
77003

Phone: 713-755-6037
Fax: 713-755-8941



Switching from Trunking /Direct:

WHEN USING DIRECT MODE YOU WILL NOT BE ABLE TO USE THE "MODE SELECT KNOB". YOU MUST FIRST PRESS THE UP ARROW KEY TO RETURN TO TRUNKING MODE FIRST.



LTS2000 CONTROLS

1. Radio ON/OFF and Volume Control Knob
2. Rotary Mode Selector Knob
3. Push-To-Talk (PTT) Switch
4. Emergency Switch
5. Select Button
6. Accessory Connector Cover
7. Keypad
8. Display
9. Indicator LED
10. Antenna Connector
11. Microphone
12. Speaker

